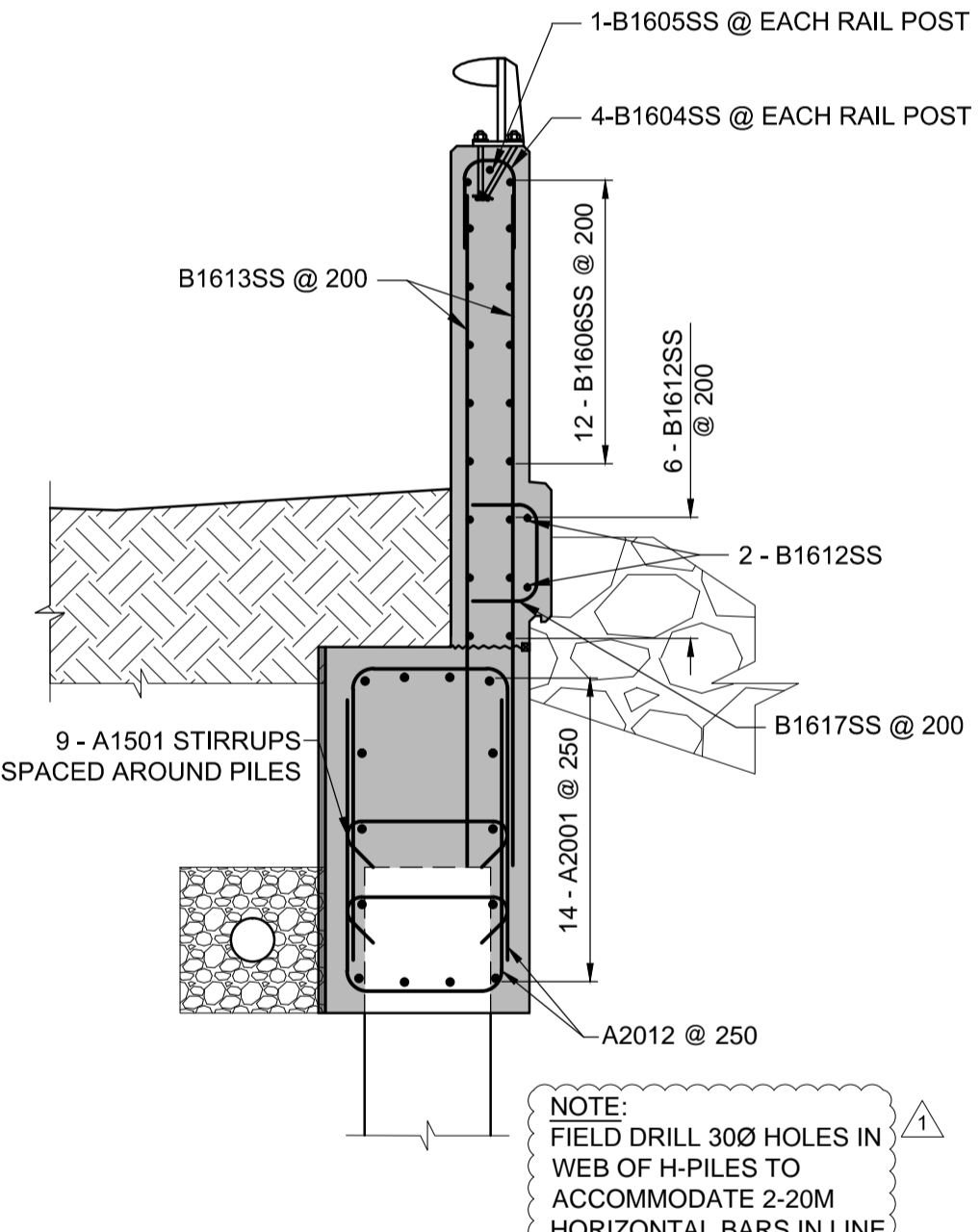
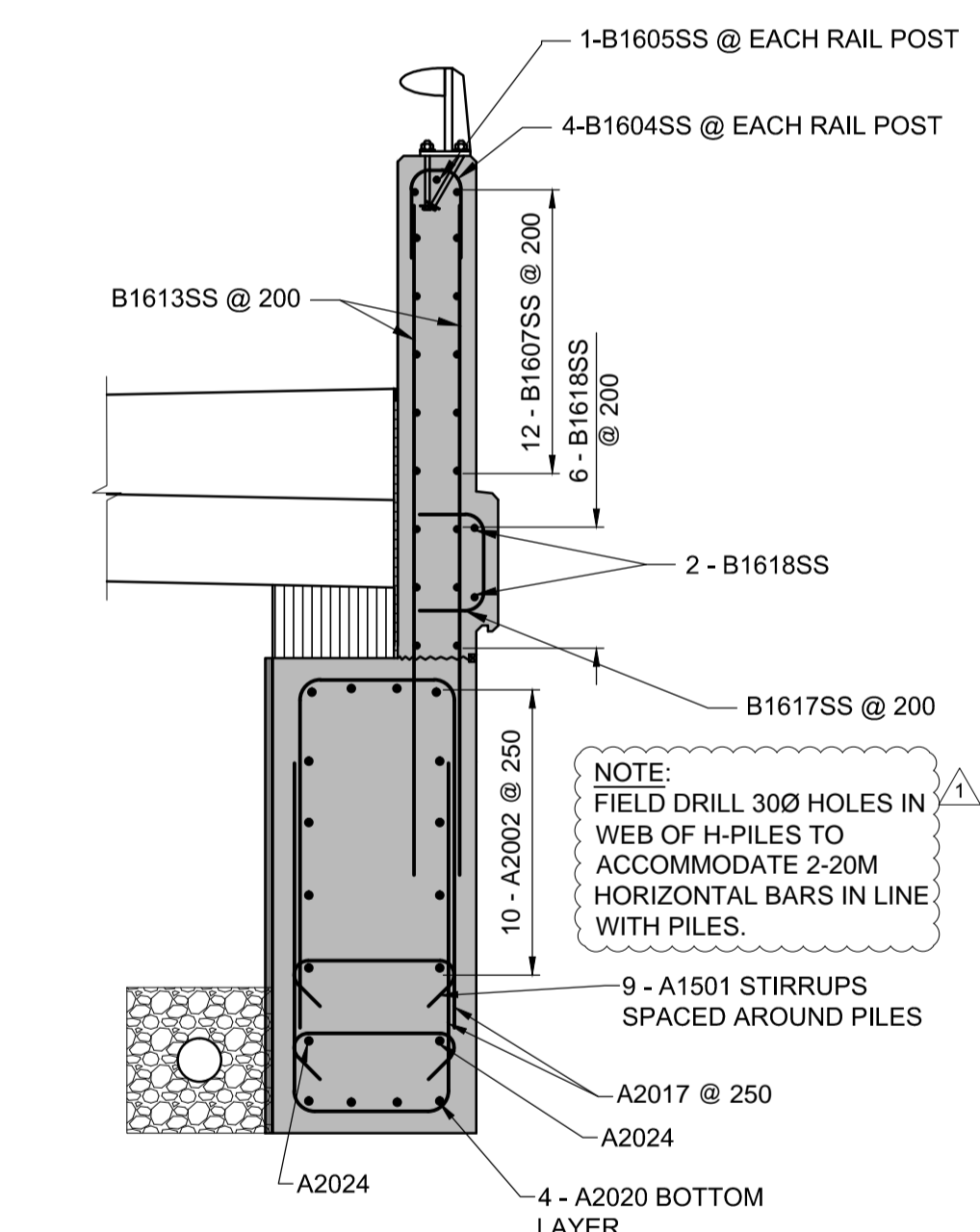


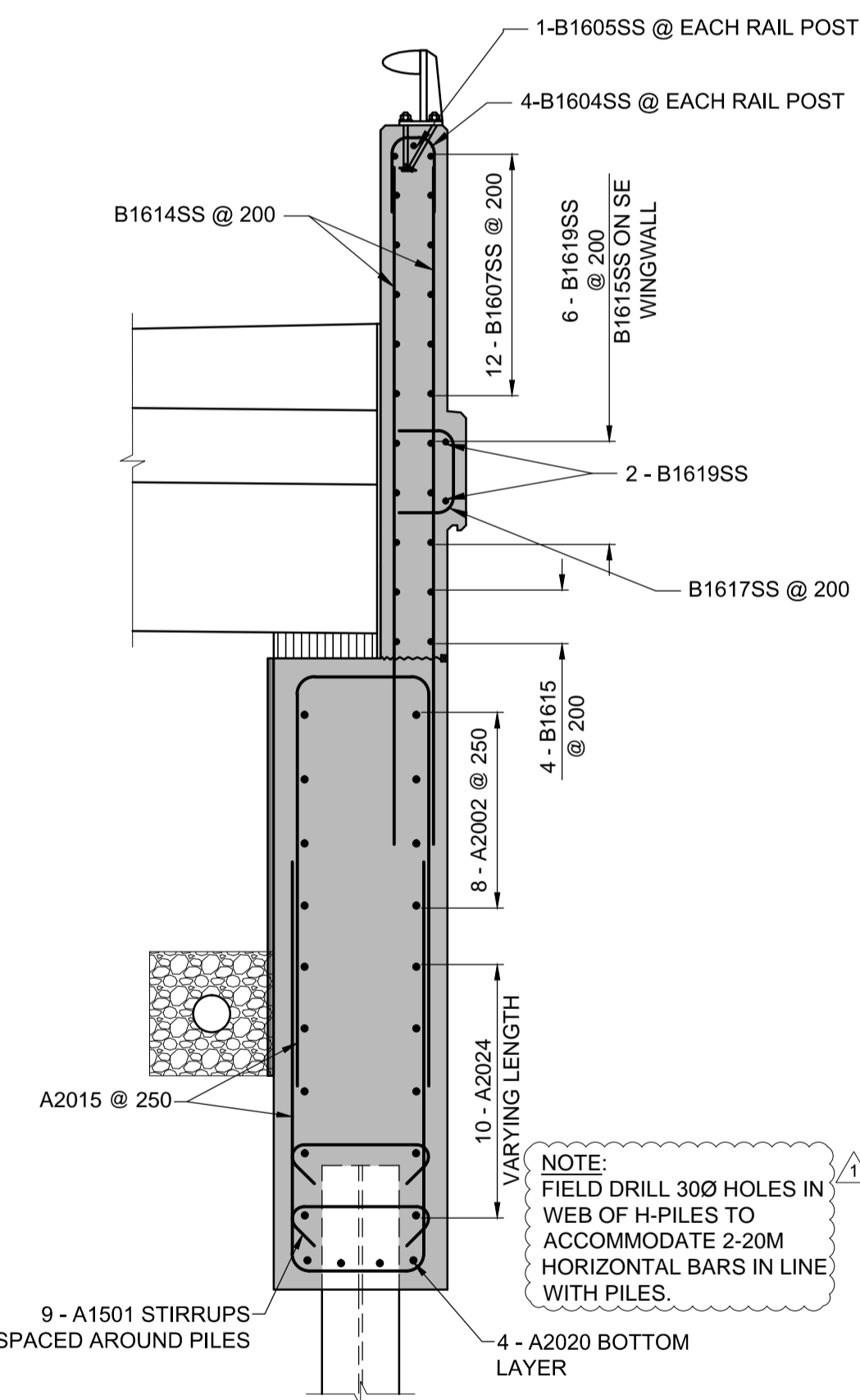
A SW & SE WINGWALL ELEVATION
 11 LOOKING NORTH - REINFORCEMENT
 SCALE: 1:50



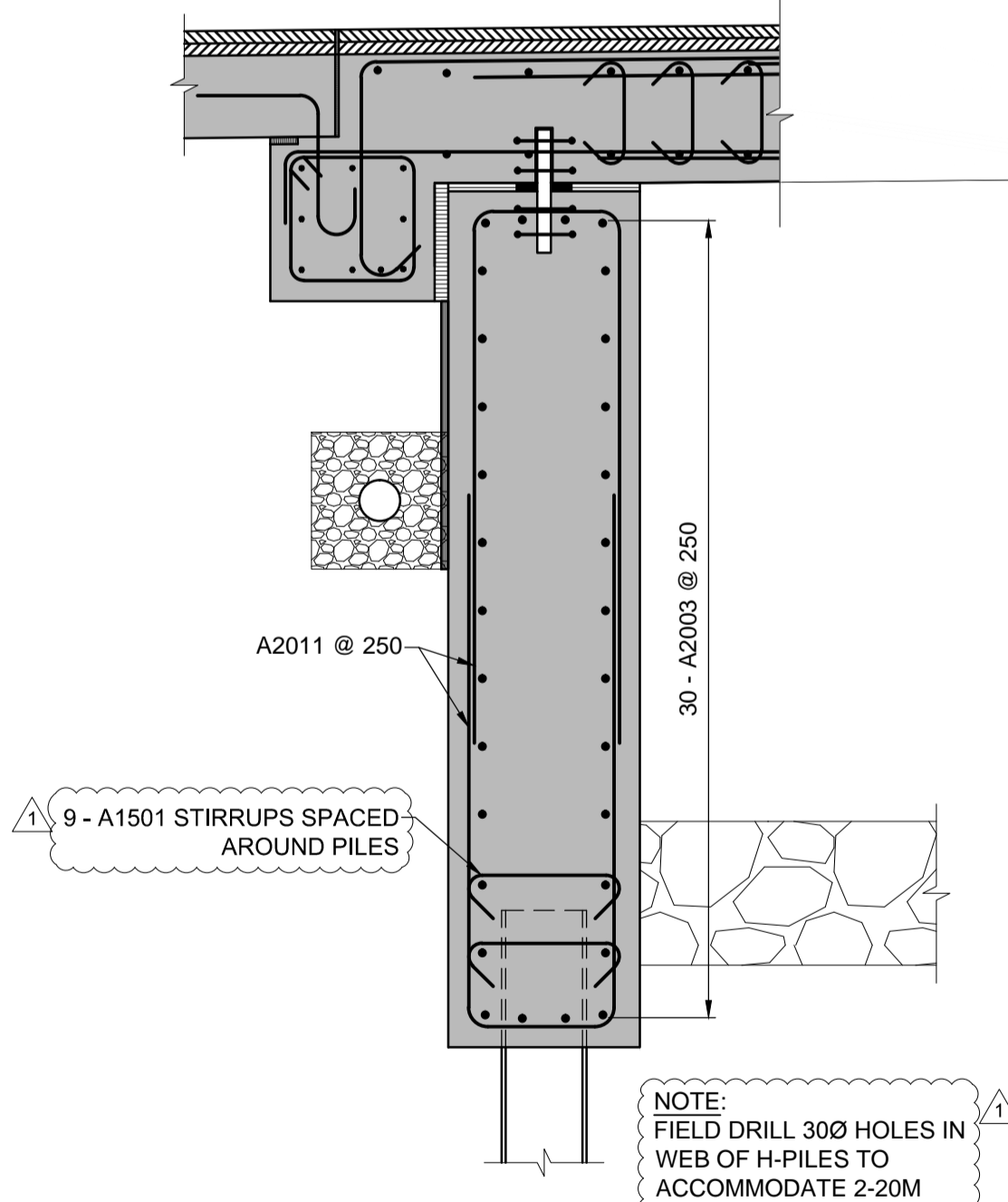
B SECTION
 11 SW RETAINING WALL
 SCALE: 1:25



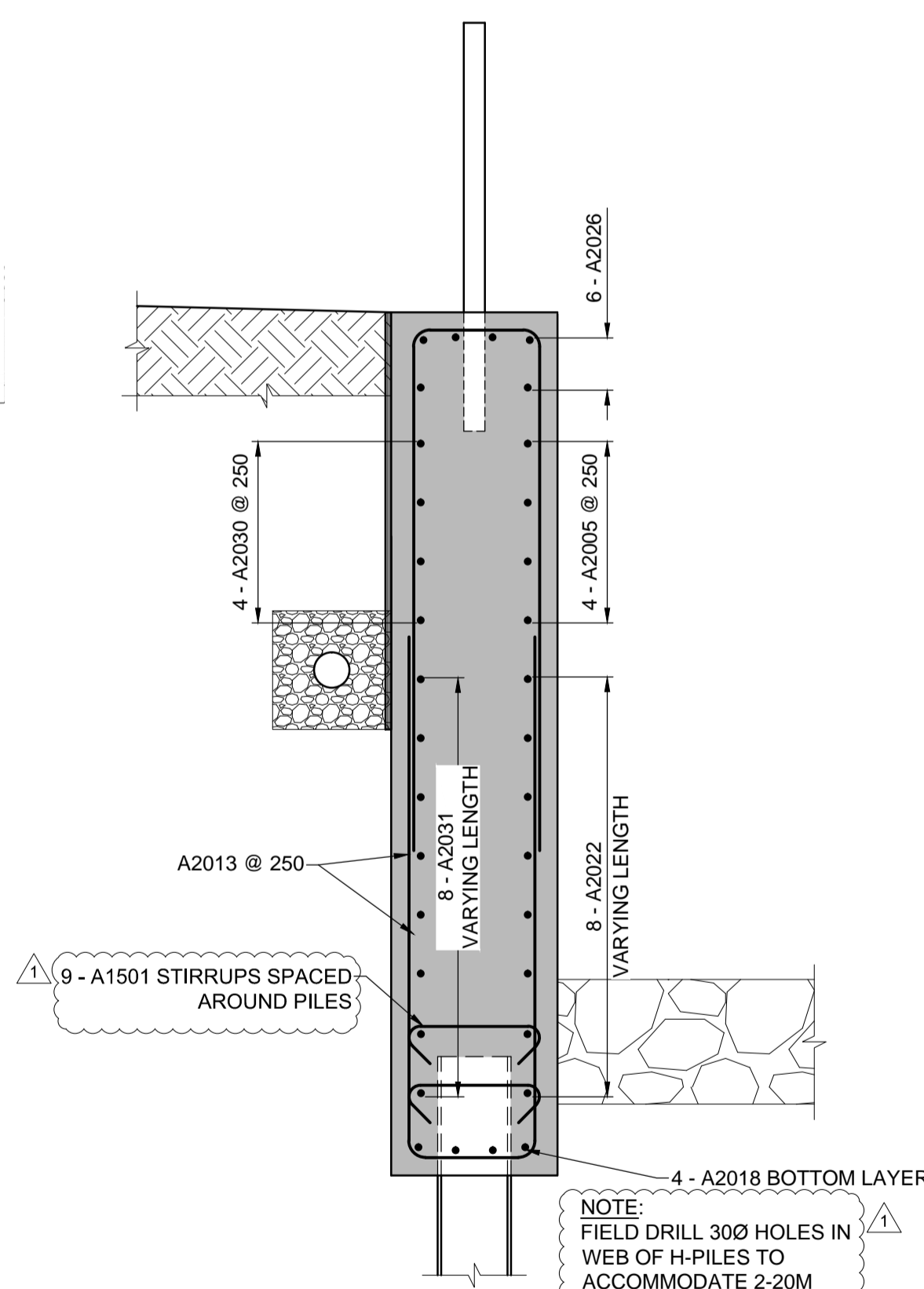
C SECTION
 11 SW WINGWALL, SE WINGWALL SIMILAR
 SCALE: 1:25



D SECTION
 11 SW WINGWALL, SE WINGWALL SIMILAR
 SCALE: 1:25



E SECTION
 11 ABUTMENT & SEMI-INTEGRAL BRIDGE DECK
 SCALE: 1:25



F SECTION
 11 NW RETAINING WALL, NE RETAINING WALL SIMILAR
 SCALE: 1:25



METRIC
 WHOLE NUMBERS INDICATE MILLIMETRES
 DECIMALIZED NUMBERS INDICATE METRES

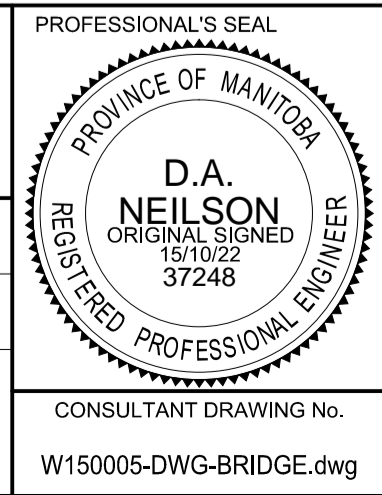
LOCATION APPROVED UNDERGROUND STRUCTURES

SUPR. U/G STRUCTURES COMMITTEE	DATE
NOTE: LOCATION OF UNDERGROUND STRUCTURES AS SHOWN ARE BASED ON THE BEST INFORMATION AVAILABLE BUT NO GUARANTEE IS GIVEN THAT ALL EXISTING UTILITIES ARE SHOWN OR THAT THE GIVEN LOCATIONS ARE EXACT. CONFIRMATION OF EXISTENCE AND EXACT LOCATION OF ALL SERVICES MUST BE OBTAINED FROM THE INDIVIDUAL UTILITIES BEFORE PROCEEDING WITH CONSTRUCTION.	

ISSUED FOR ADDENDUM 1	15/11/10	DAN
ISSUED FOR TENDER	15/10/22	DAN
REVISIONS	YYMMDD	BY

MORRISON HERSHFIELD

DESIGNED BY	DAN	CHECKED BY	SAL
DRAWN BY	DML	APPROVED BY	BE
HOR. SCALE	AS SHOWN	ACCEPTED BY	DATE
VERT. SCALE	AS SHOWN	SIGNED BY: D.N. BURMEY, P. ENG.	15/10/22
DATE	15/04/24	D.N. BURMEY, P. ENG.	BRIDGE PROJECTS ENGINEER



THE CITY OF WINNIPEG
 PUBLIC WORKS DEPARTMENT
 ENGINEERING DIVISION

SASKATCHEWAN AVENUE AT OMAND'S CREEK BRIDGE REPLACEMENT

SUBSTRUCTURE IV

CITY DRAWING NUMBER	B144-16-11
SHEET	11 OF 18
DRAWING No.	REV
11	1